



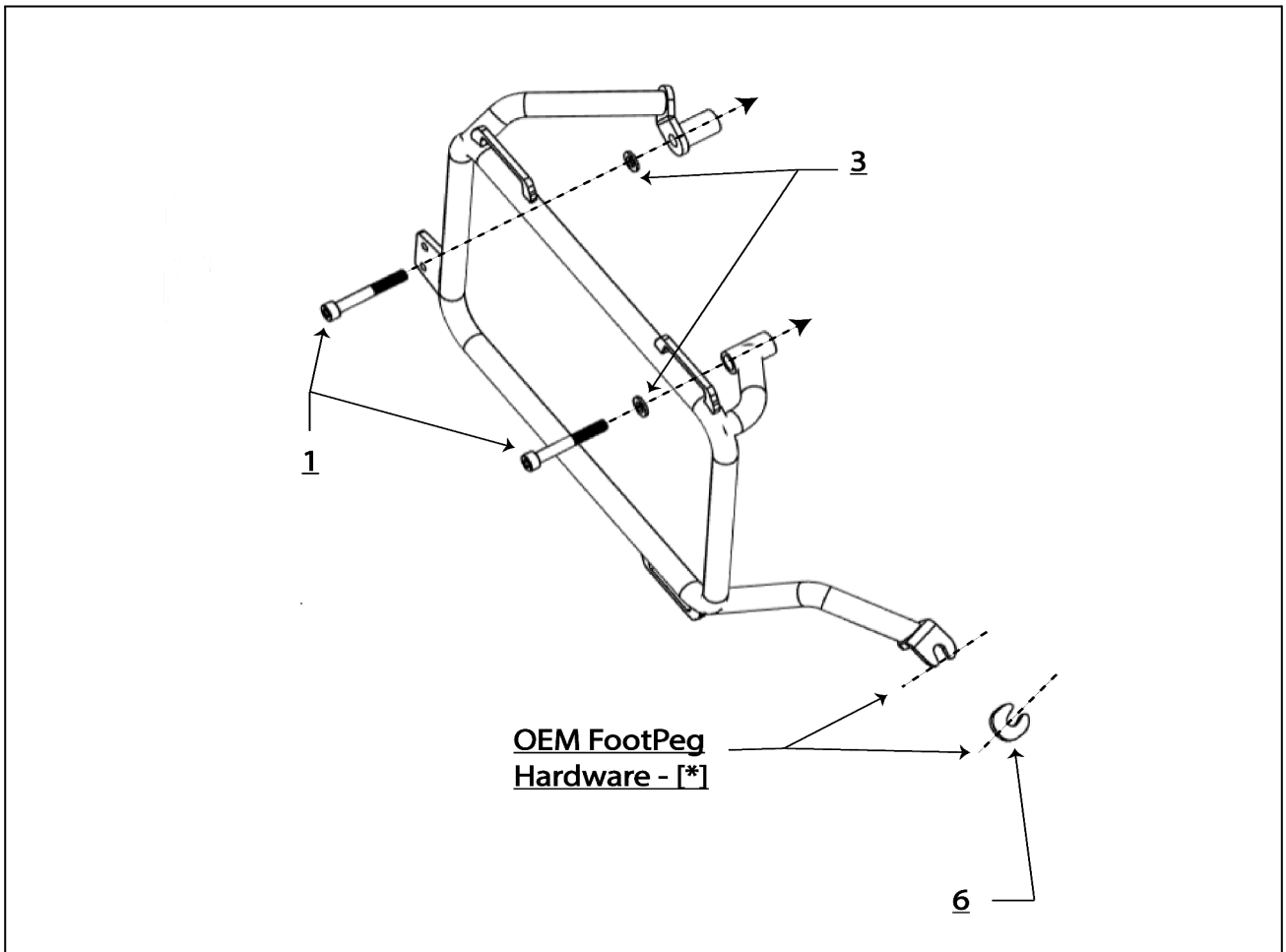
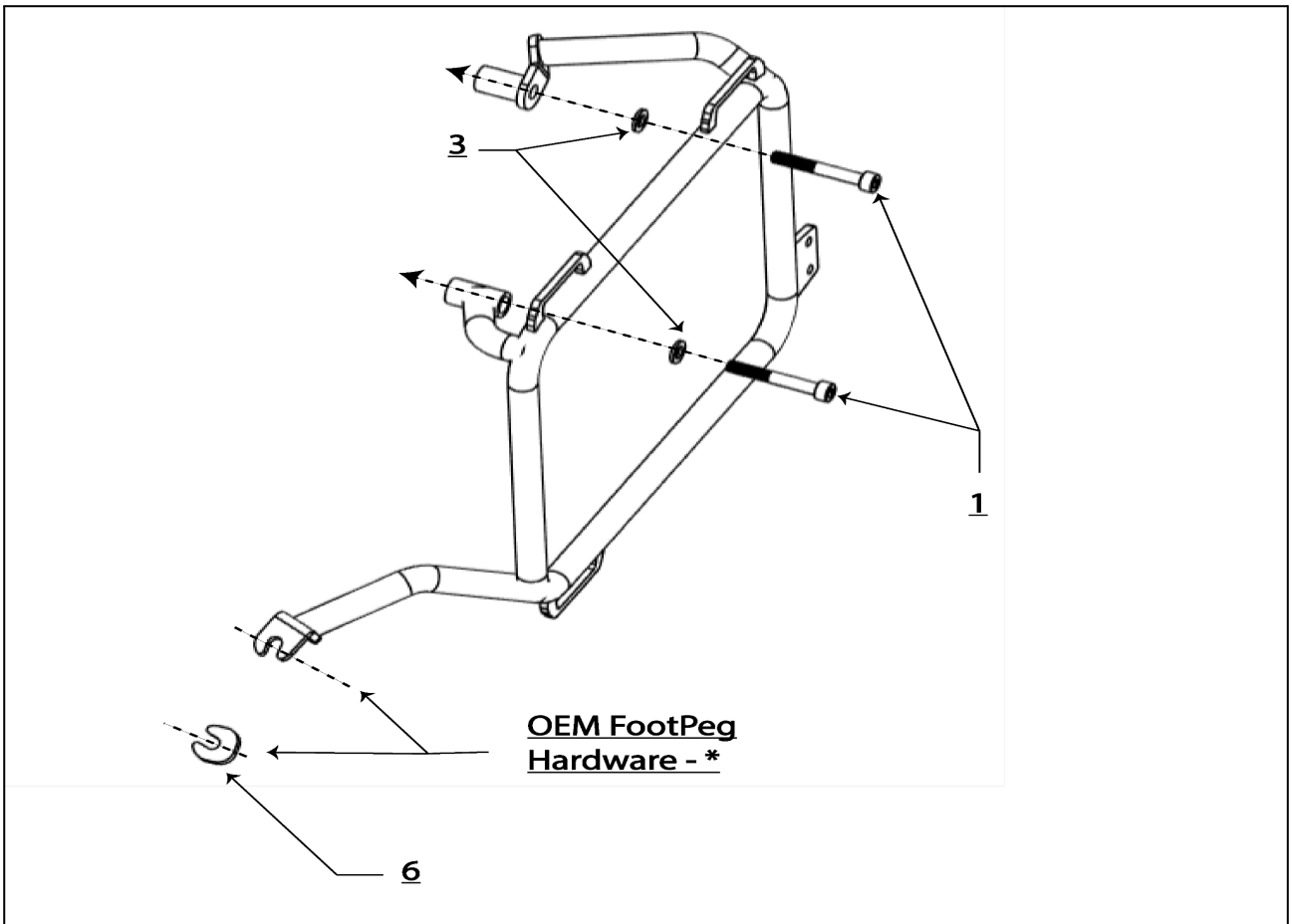
**OUTBACK
MOTORCYCLES**

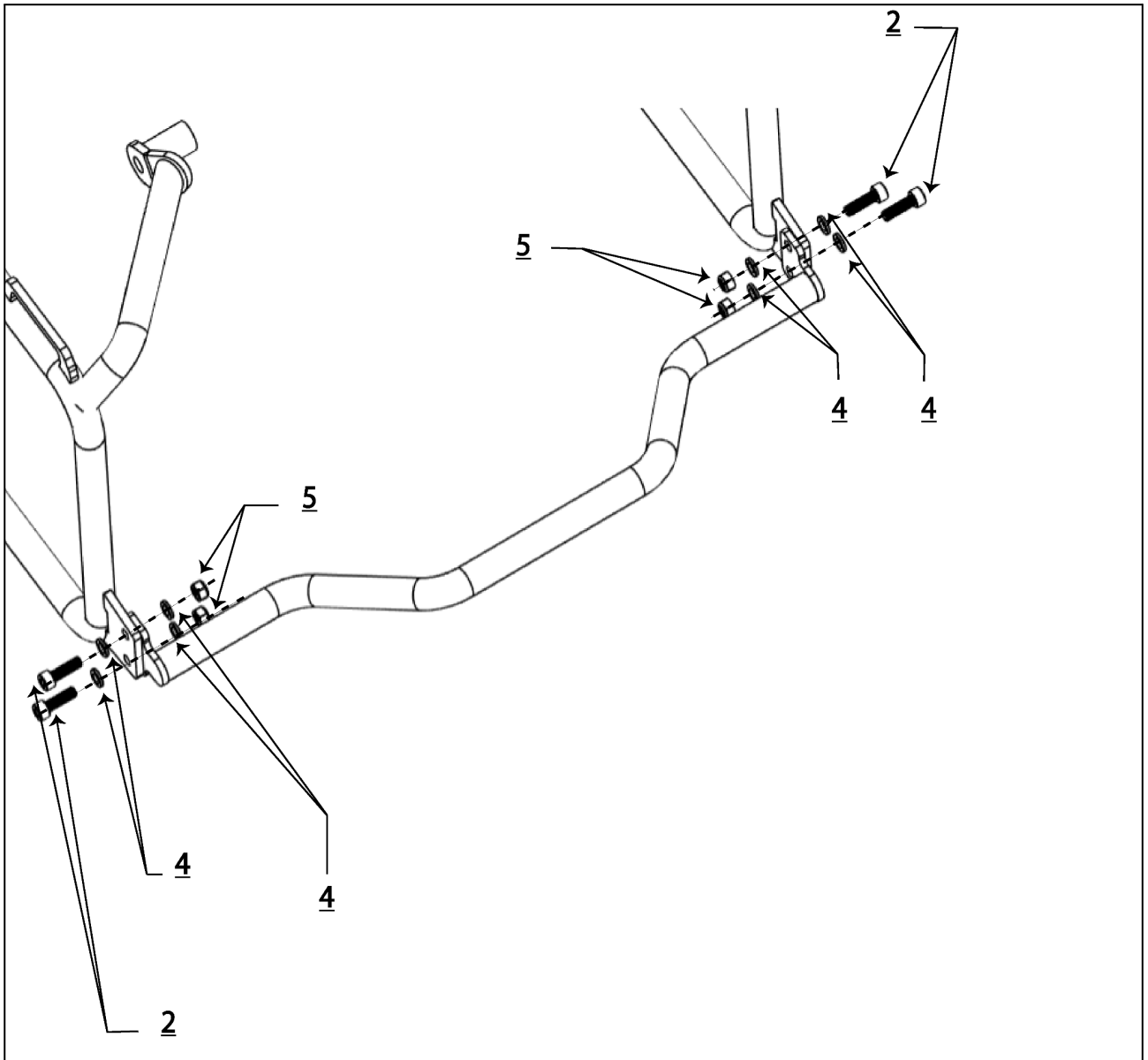
BMW R 1300 GS

QUICK ASSEMBLY GUIDE | PANNIER RACK

FOR FULL INSTALLATION INSTRUCTIONS, PLEASE WATCH [THIS VIDEO](#).

Hardware Number	QTY	Hardware Specifications	Torque (NM)
<u>1</u>	4	M8 x 60mm Allen Bolt	23
<u>2</u>	4	M6 x 20mm Allen Bolt	10
<u>3</u>	4	M8 Washer	-
<u>4</u>	8	M6 Washer	-
<u>5</u>	4	M6 Nyloc Nut	-
<u>6</u>	2	Foot Peg Spacer	-





* PLEASE REFER TO THE OWNER'S (OR SERVICE) MANUAL FOR OEM TORQUE SPECIFICATIONS.